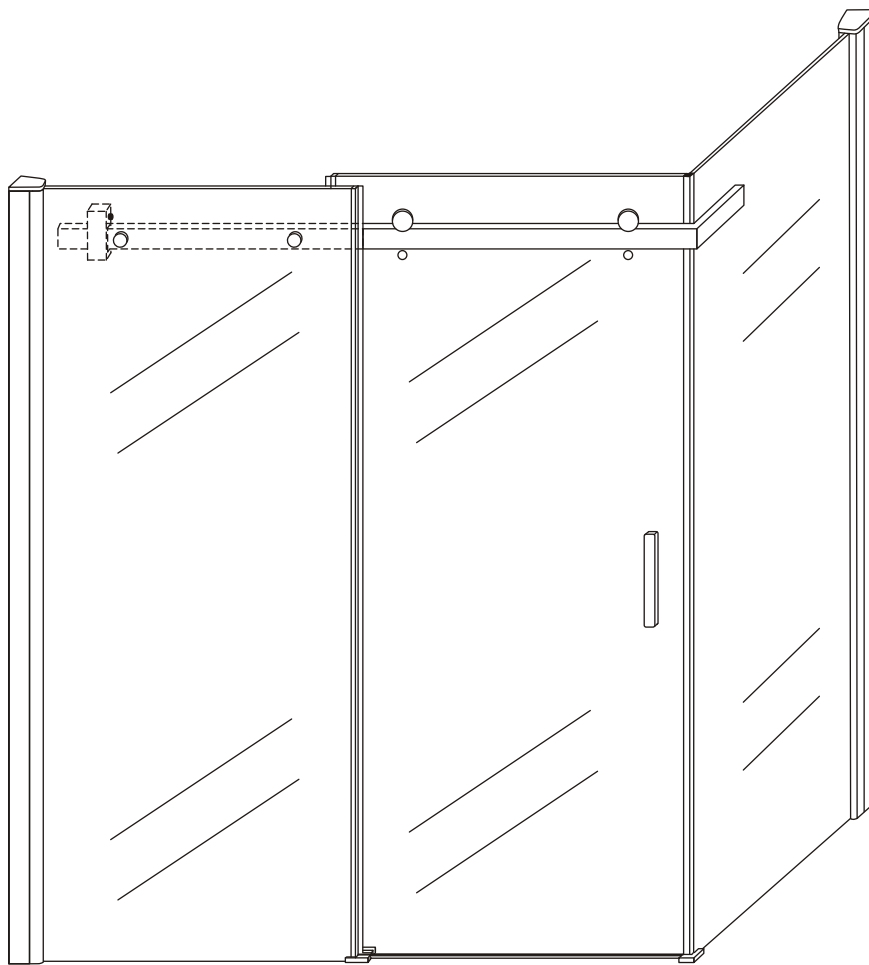
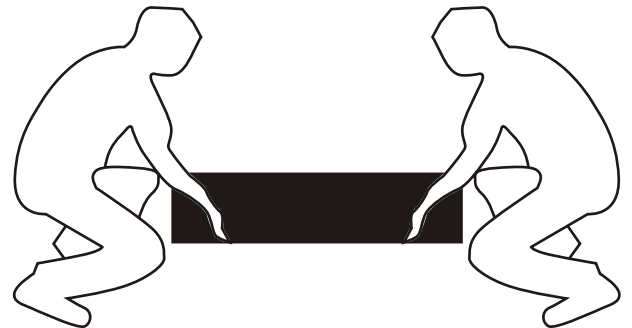
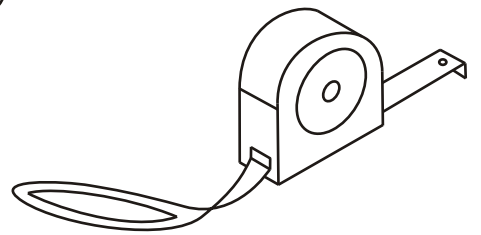
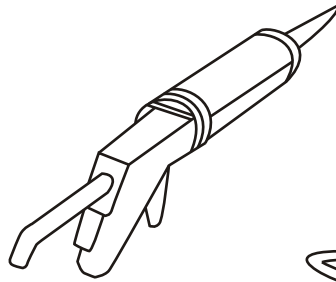
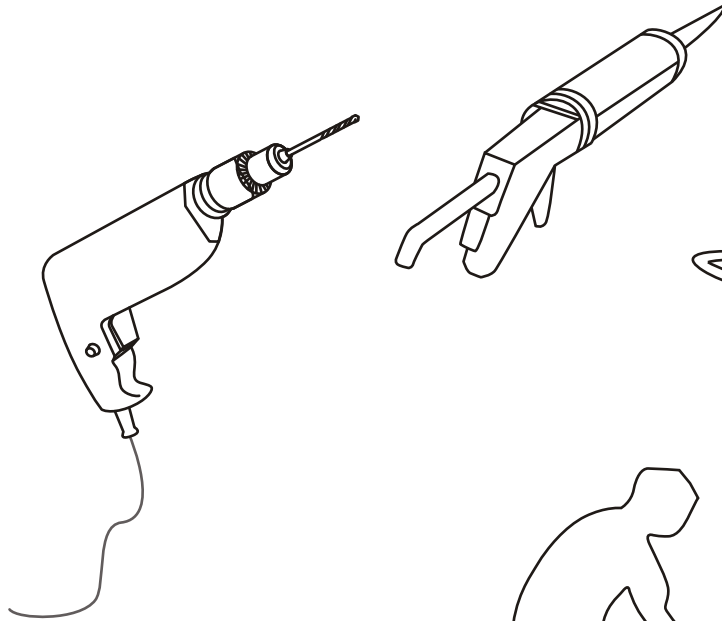
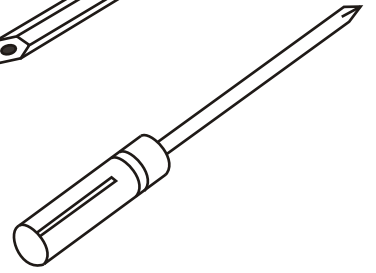
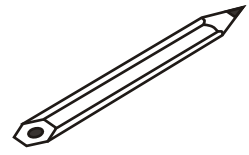
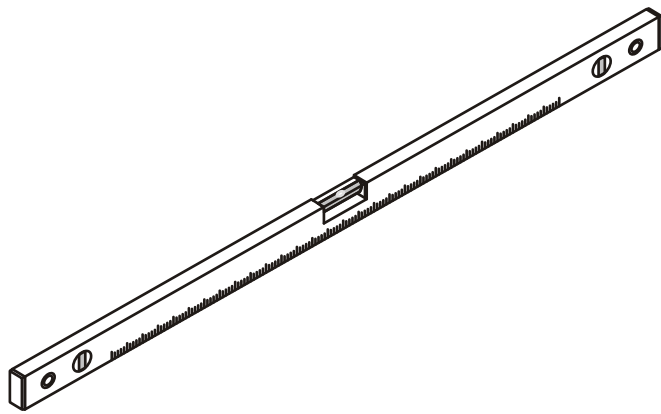


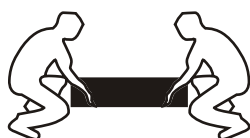
INSTALLATIE VOORSCHRIFT

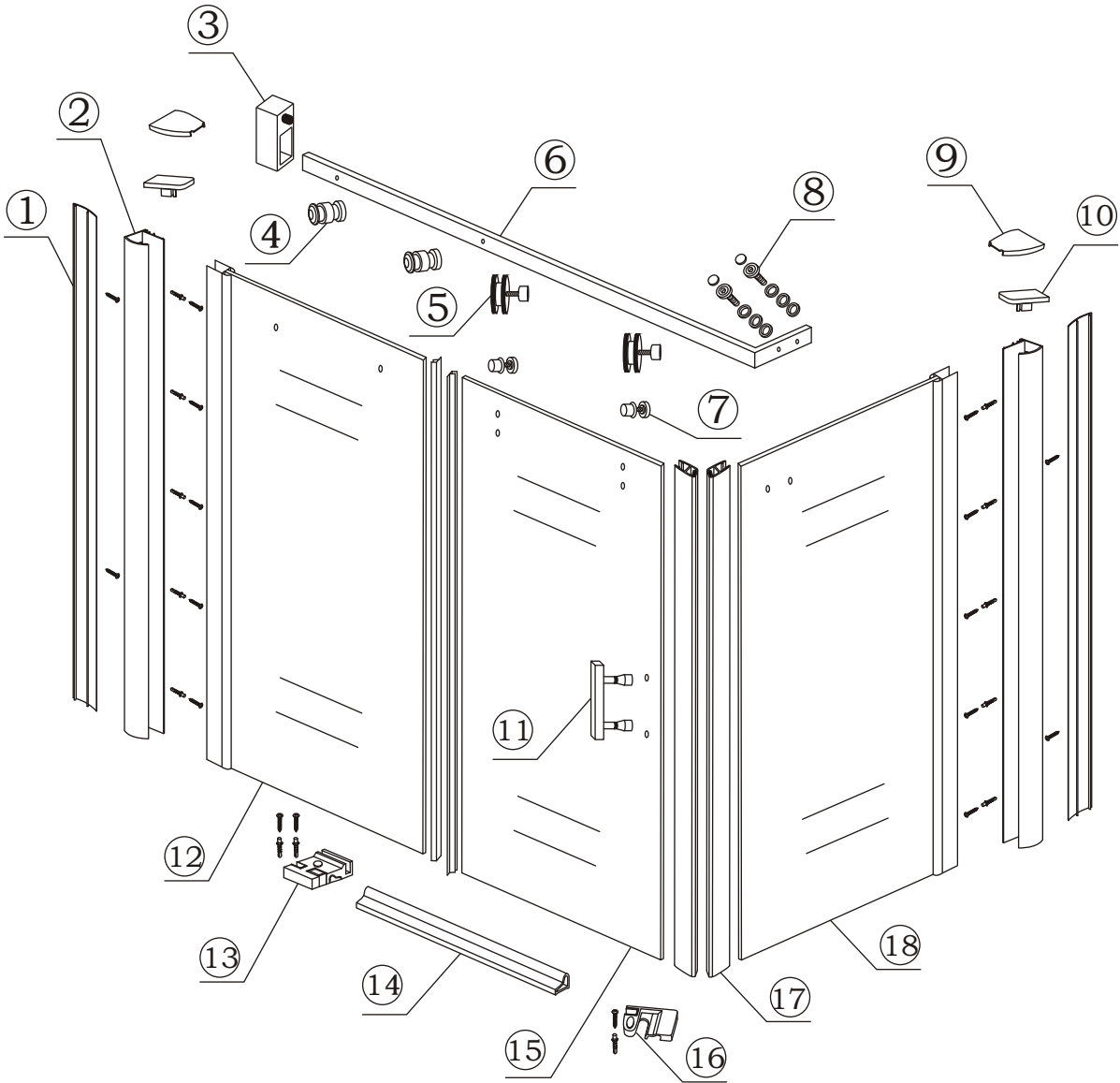
DOUCHECABINE met NANO behandeld glas
(schuifdeur met vaste wand)model 2012



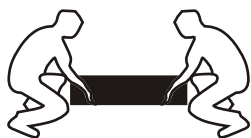


1

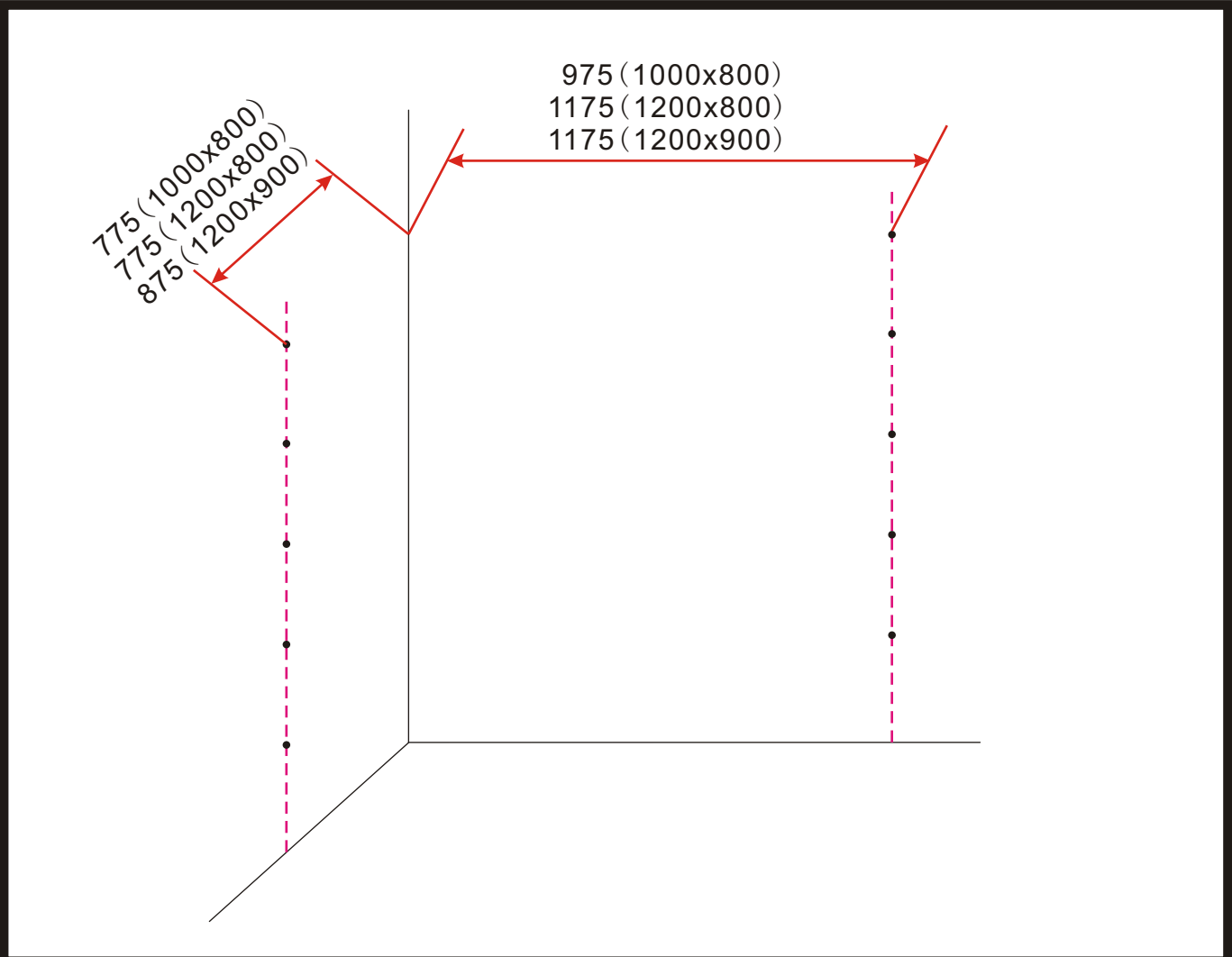




- | | | | | | | |
|------|------|------|------|------|------|------|
| ① X2 | ② X2 | ③ X2 | ④ X1 | ⑤ X1 | ⑥ X1 | ⑦ X1 |
| ⑧ X1 | ⑨ X1 | ⑩ X1 | ⑪ X1 | ⑫ X1 | ⑬ X1 | ⑭ X1 |
| ⑮ X1 | ⑯ X1 | ⑰ X1 | ⑱ X1 | X17 | X13 | |



3



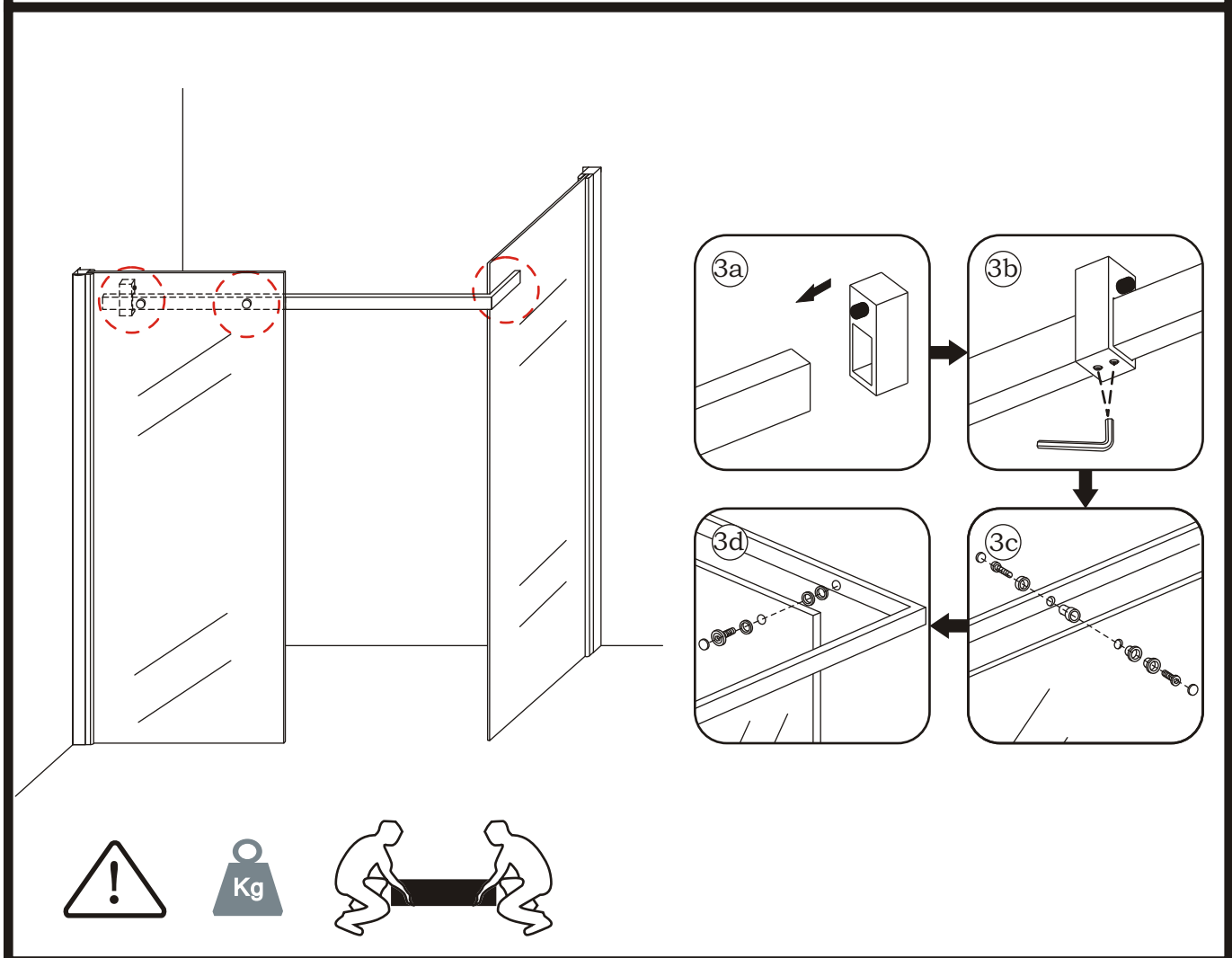
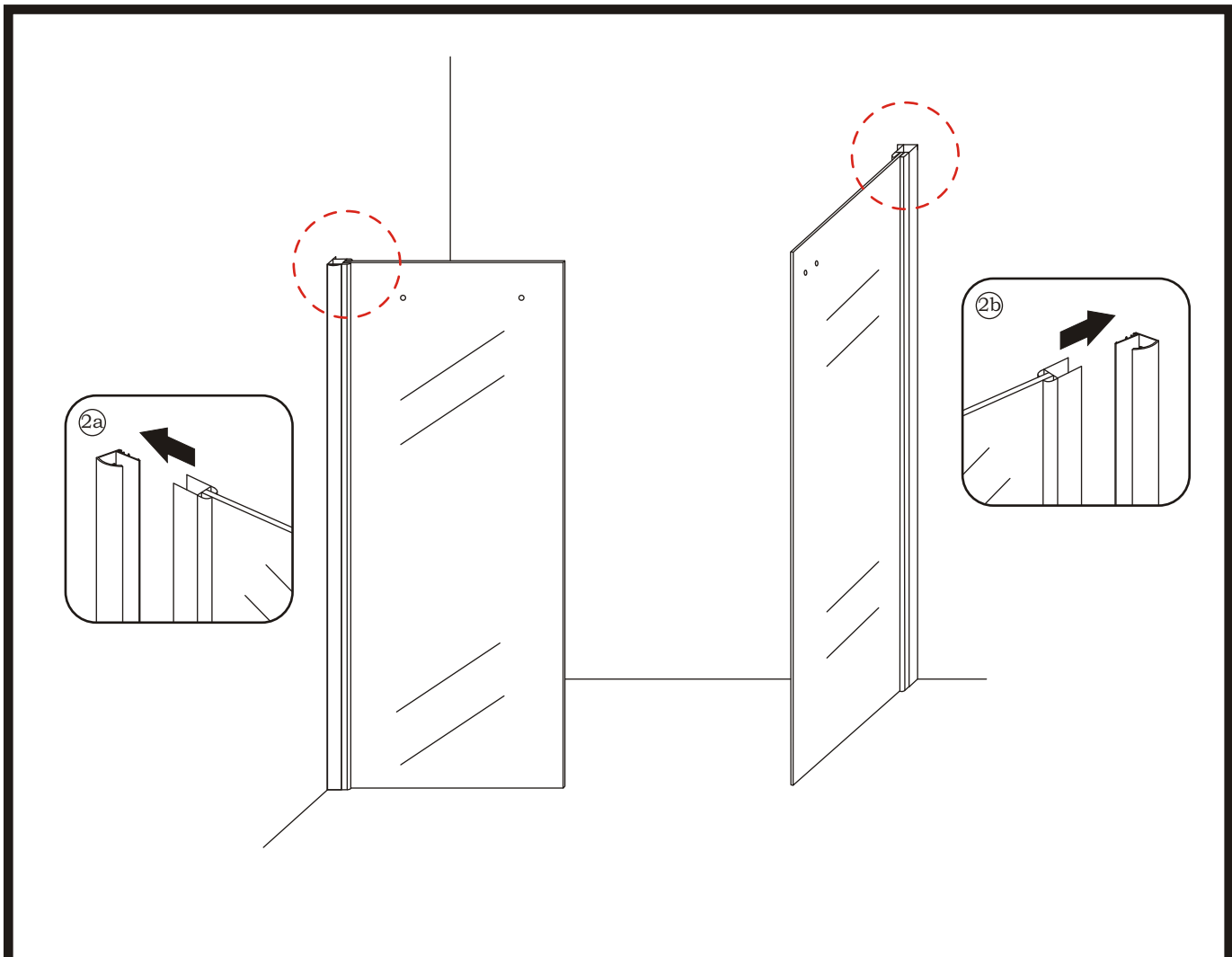
1a 1b 1c 1d

Φ6mm

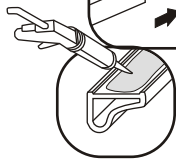
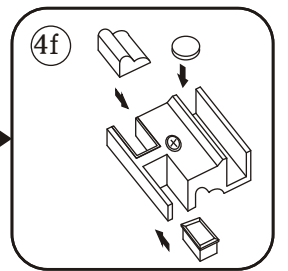
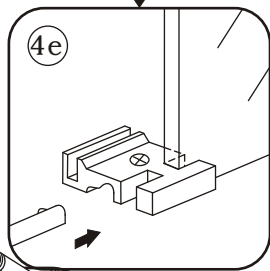
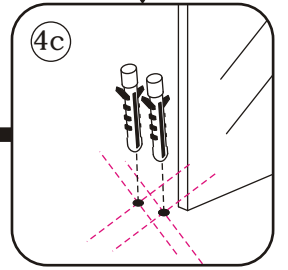
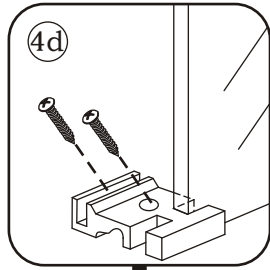
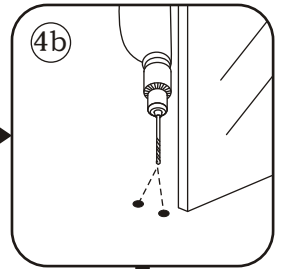
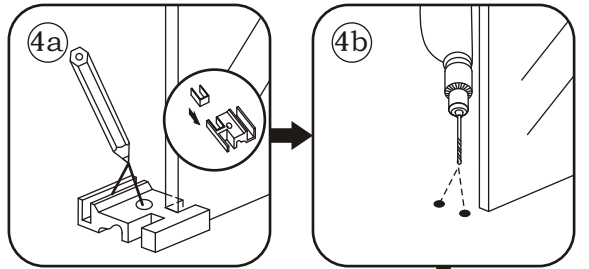
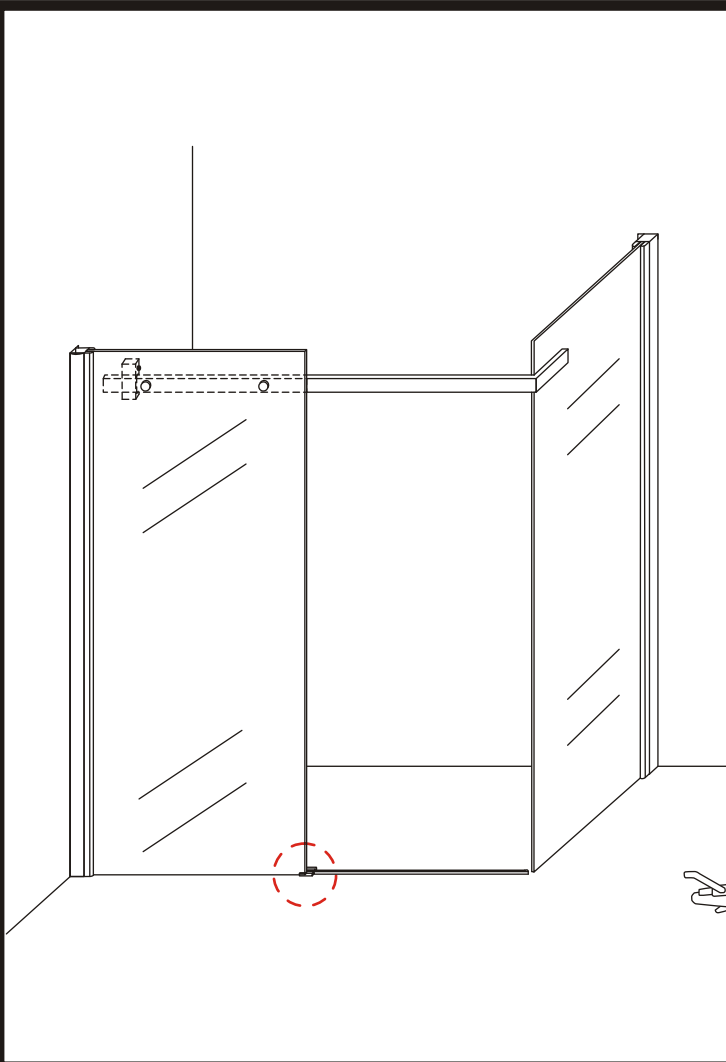
X10 Φ6x30

X10 4x30

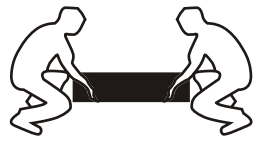
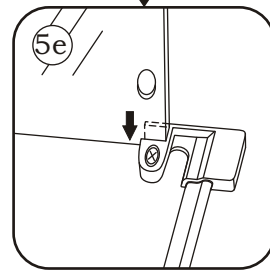
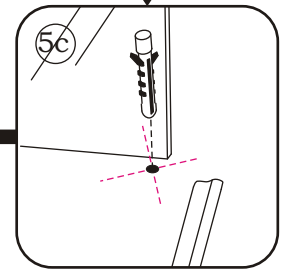
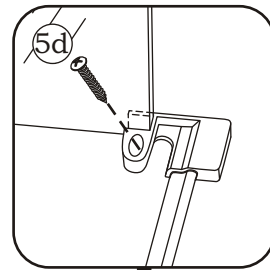
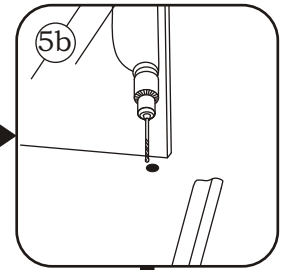
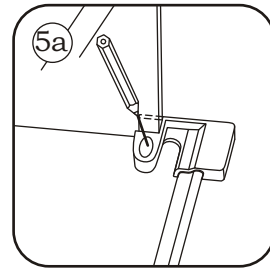
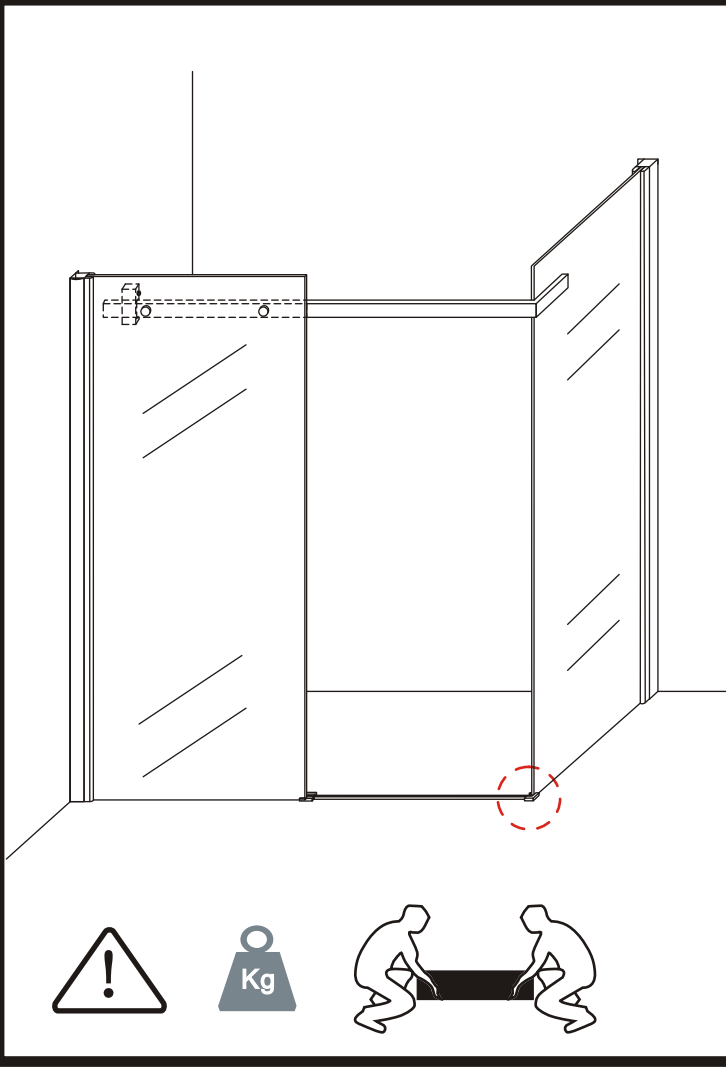
! Kg



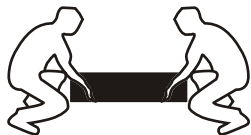
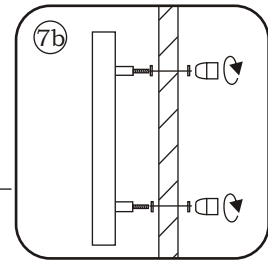
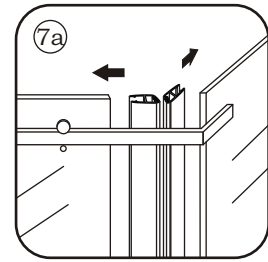
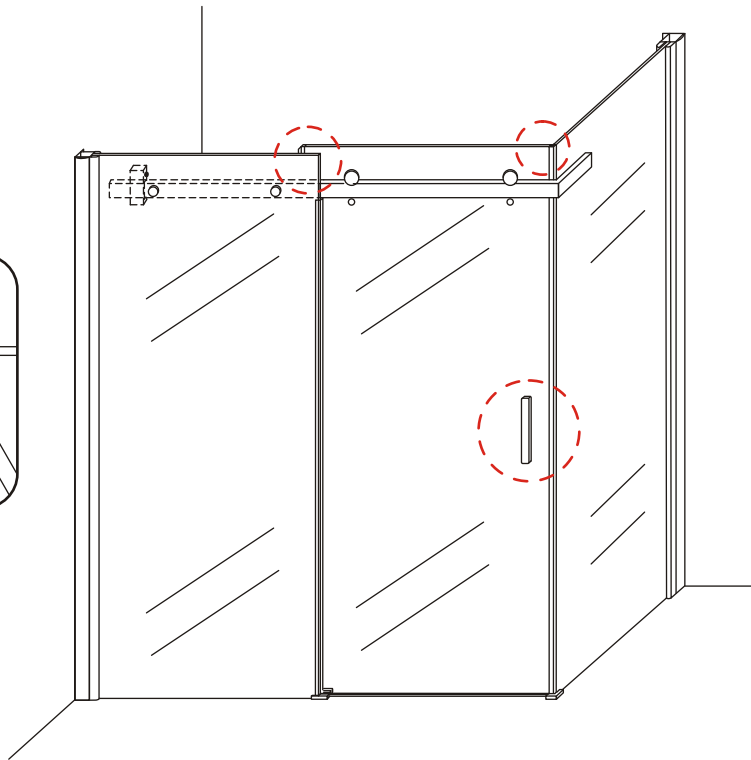
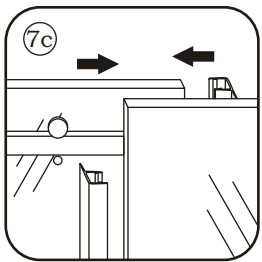
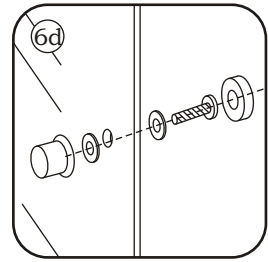
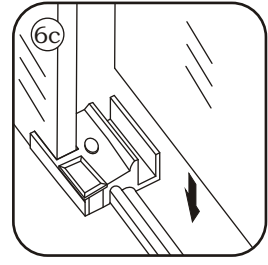
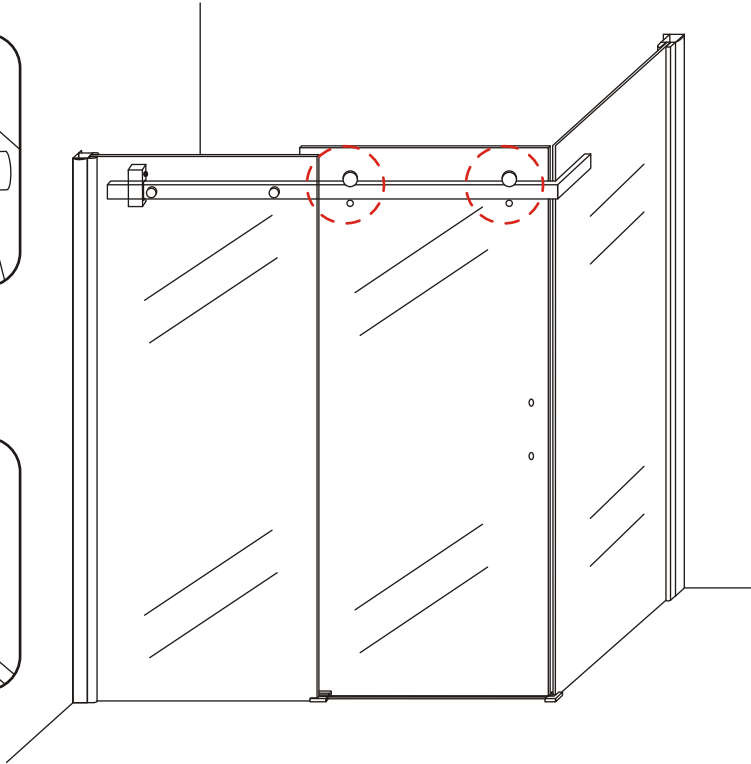
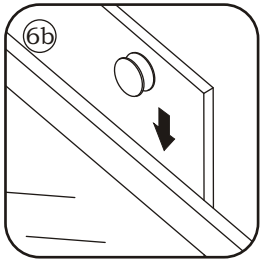
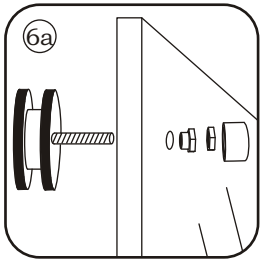
5



- $\Phi 6\text{mm}$ X2
- 4x25 X2
- $\Phi 6 \times 30$ X2



- $\Phi 6\text{mm}$ X1
- 4x25 X1
- $\Phi 6 \times 30$ X1



7

